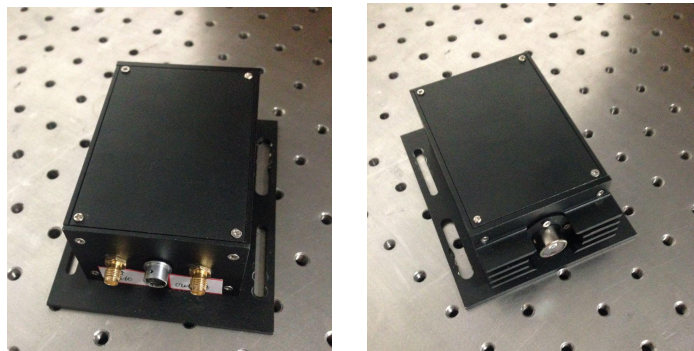


SINGLE PHOTON COUNTING MODULE



Description

OTRON Count-Vis single photon counting module

Has been developed to offer high quantum efficiency, wide Dynamic range and ease of use for photon counting. This Module offers everything needed for single photon detect

From 200 to 1100nm. Incoming photons generate corresponding electrical pulses which maybe conveniently read out

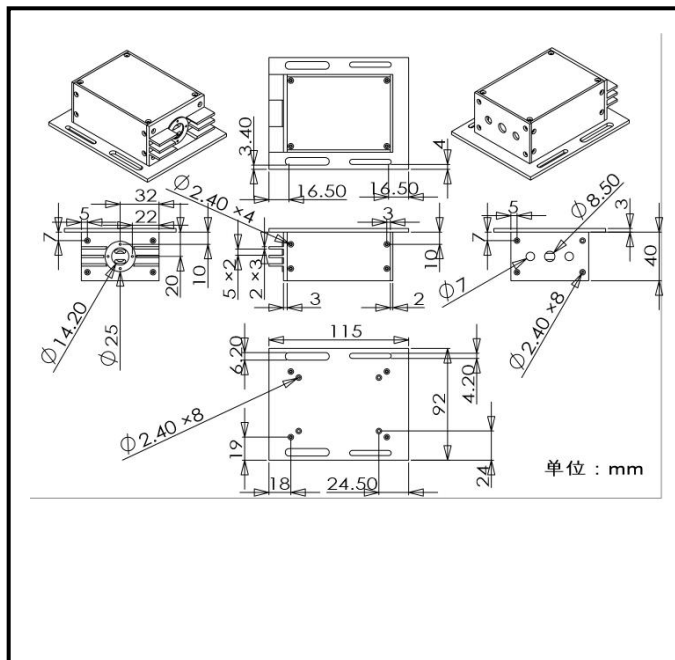
At the TTL output. The gating function allows the module to be disabled between measurements to provide protection Against accidental overload.

Features

- * Extremely low dark count rates

Applications

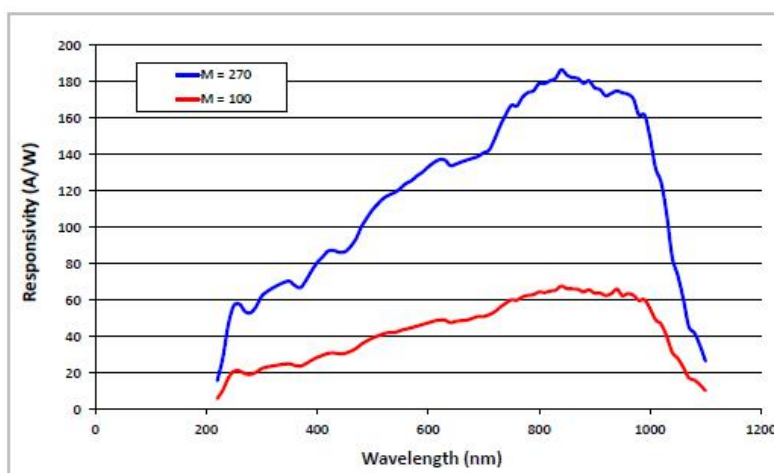
- * Laser range finder
- * Fluorescence analysis



Information in this technical datasheet is believed to be correct and reliable. However, no responsibility is assumed for possible inaccuracies or omission. Specifications are subject change without notice

Absolute Maximum Ratings (Ta=25°C)

Parameter	Min	Typ	Max	Unit
Spectral range	250		1100	nm
Dark count rate				
I			200	Counts/s
II			500	Counts/s
III			1000	Counts/s
IV			5000	Counts/s
Photon detect efficiency @				
532nm		55		%
850nm		40		%
1064nm		3		%
Active area diameter		500		μm
Timing resolution		800		ps
Afterpulsing probability		0.5		%
Dead time		50		ns
Gate				
Gate on		TTL low		V
Gate off		TTL High		V
TTL output pulse length		40		ns
TTL Output pulse amplitude(into 50ohm)		2.0		V (50 Ohm)
Supply Voltage	4.5	5.0	5.5	V
Supply current		0.6		A
Outline L*W*H		104×84×45		mm



Information in this technical datasheet is believed to be correct and reliable. However, no responsibility is assumed for possible inaccuracies or omission. Specifications are subject change without notice