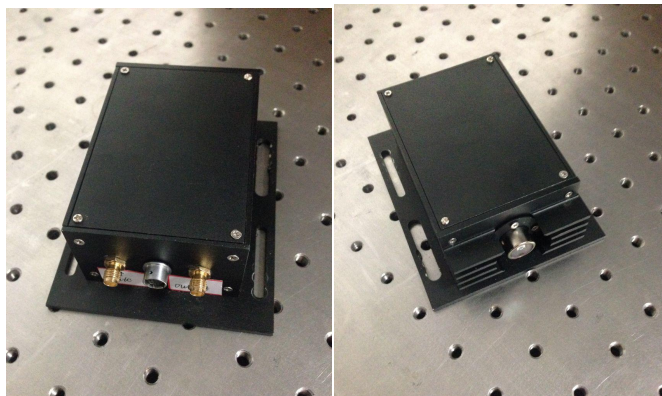
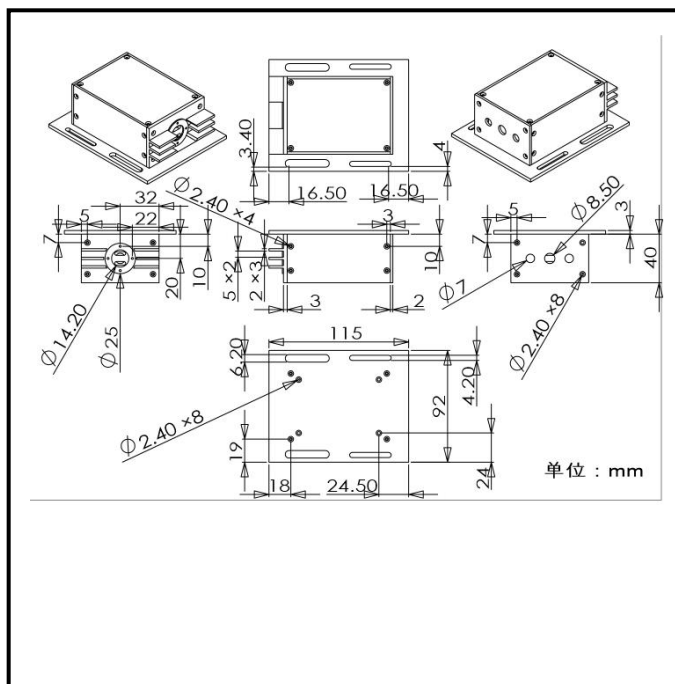


SINGLE PHOTON COUNTING MODULE



Description

OTRON Count-IGA single photon counting module Has been developed to offer high quantum efficiency, wide Dynamic range and ease of use for photon counting. This Module offers everything needed for single photon detect From 1000 to 1700nm. Incoming photons generate corresponding electrical pulses which maybe conveniently read out At the TTL output. The gating function allows the module to be disabled between measurements to provide protection Against accidental overload.



Features

- * Extremely low dark count rates

Applications

- * Laser range finder
- * Fluorescence analysis

Information in this technical datasheet is believed to be correct and reliable. However, no responsibility is assumed for possible inaccuracies or omission. Specifications are subject change without notice

Absolute Maximum Ratings (Ta=25 °C)

Parameter	Min	Typ	Max	Unit
Spectral range	1000		1700	nm
Dark count rate				
I			1E-4	Counts/ns
II			1E-5	Counts/ns
III			5E-6	Counts/ns
Photon detect efficiency @				
1064nm		10	20	%
1550nm		10	20	%
				%
Active area diameter	20	40	80	μm
Timing resolution				
Normal mode		350		ps
GHz mode		150		ps
Dead time				
Normal mode		1		us
GHz mode		5		ns
TTL output pulse length		40		ns
TTL Output pulse amplitude(into 50ohm)		2.0		V (50 Ohm)
Supply Voltage	4.5	5.0	5.5	V
Supply current		0.6		A
Outline L*W*H		104×84×45		mm

Information in this technical datasheet is believed to be correct and reliable. However, no responsibility is assumed for possible inaccuracies or omission. Specifications are subject change without notice