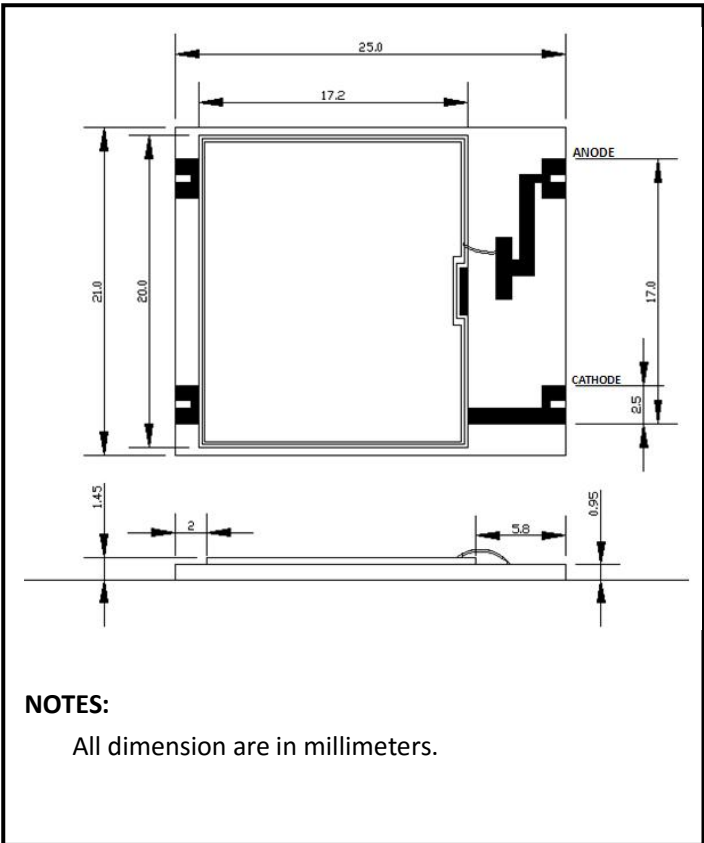
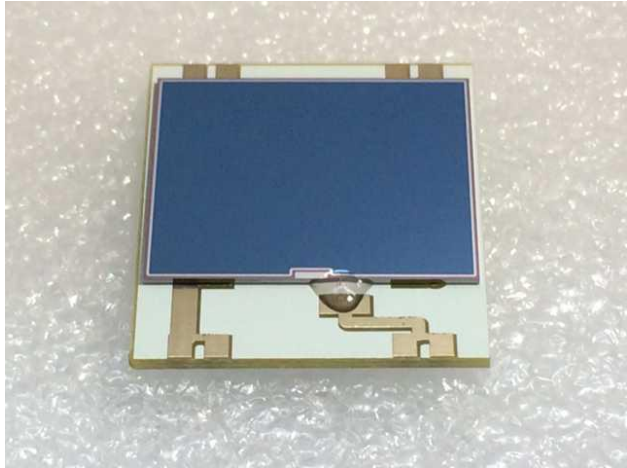


Silicon PIN Photodiode OSD360-IB



Description

The OSD360-IB is high-output, high sensitivity silicon Photodiode mounted on FR-4 PCB board, permits wide Angular response.

Features

- * Wide angular response
- * High reliability in demanding environments
- * Operating temperature is from -40 to +80°C
- * Storage temperature is from -40 to +100°C
- * soldering temperature is 260°C @Max.5 seconds at the position of 2mm from the PIN legs.

General Ratings

- * Type Silicon Photodiode
- * High linearity
- * Chip active area: 17.30mm*20.0mm
- * Low dark current

Applications

- * Analytical instruments
- * Precision photometry
- * Fluorescence detector
- * IR/ Laser light Monitoring
- * Optical measurement equipment
- * Medical equipment
- * Spectrophotometry/CT scan

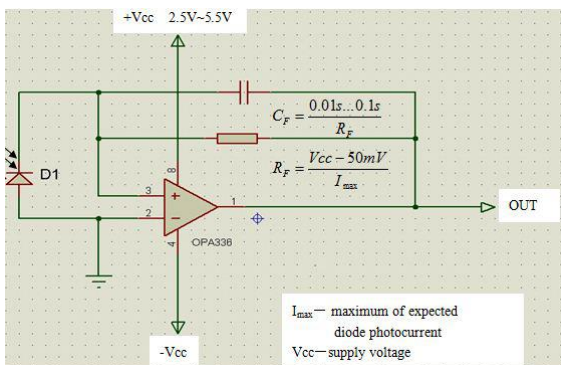
Information in this technical datasheet is believed to be correct and reliable. However, no responsibility is assumed for possible inaccuracies or omission. Specifications are subject change without notice

Absolute Maximum Ratings (Ta=25°C)

Parameter	Symbol	Condition	Min.	Typ.	Max.	Unit
Short circuit Current	I _{SC}	Ev=100lx fc=2856k*		320		μA
Isc Temperature Coefficient	TC I _{sc}	2856k		1.1		%/°C
Open Circuit Voltage	V _{oc}	Ev=100lx fc=2856k*		280		mV
Voc Temperature Coefficient	TC Voc	2856k		-2.2		mV/°C
Dark current	I _D	VR=10mV		35		pA
		VR=10V		1200		
Rise time	t _R	V _R =0V;λ=850nm;R _L =50Ω		8		us
Temp coefficient of I _D	T _{CID}			0.18		times/°C
Reverse breakdown voltage	V _{(BR)R}	I _R =100μA Ev=0lx	33			V
Junction Capacitance	C _J	V _R =0V f=1MHz		300	400	pF
		V _R =10V f=1MHz		50	85	
Photo sensitivity	S _R	650nm		0.38		A/W
		940nm		0.64		
Spectral Application Range	λ _{range}		300		1100	nm
Spectral Response-Peak	λ _p			940		nm
Shunt resistance	R _{sh}	VR=10mV		0.28		GΩ
Rsh Temperature Coefficient	TC R _{sh}	Ev=100lx , VR=10mV		0.18		%/°C
Angular Resp 50% Resp Pt	θ _{1/2}			±60		Degrees

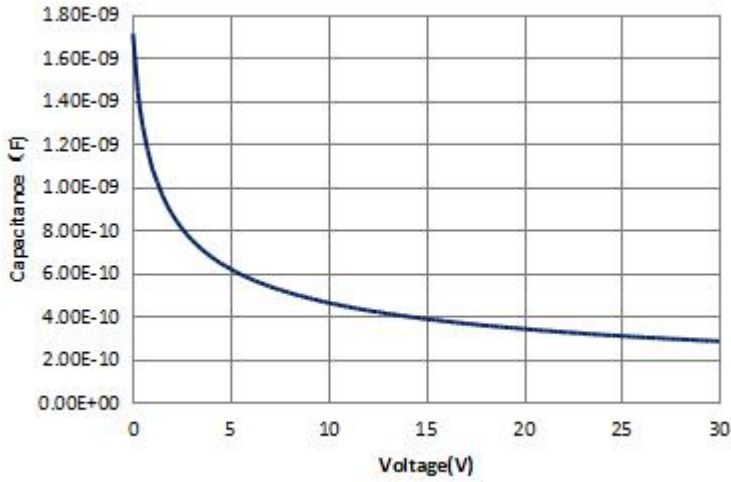
* Ev: Illuminance by CIE standard light source A (tungsten lamp)

Typical application circuit

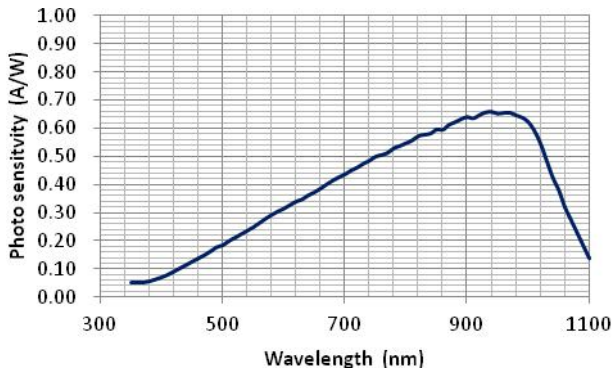


Information in this technical datasheet is believed to be correct and reliable. However, no responsibility is assumed for possible inaccuracies or omission. Specifications are subject change without notice

■ Relative Junction Capacitance VS. Voltage



■ Spectral response



Information in this technical datasheet is believed to be correct and reliable. However, no responsibility is assumed for possible inaccuracies or omission. Specifications are subject change without notice

OTRON ELECTRONIC TECHNOLOGY CO.LTD

TEL:+86-21-54971821

FAX:+86-21-54971823

EMAIL:sales@otron-sensor.com

[Http://www.otron-sensor.com](http://www.otron-sensor.com)