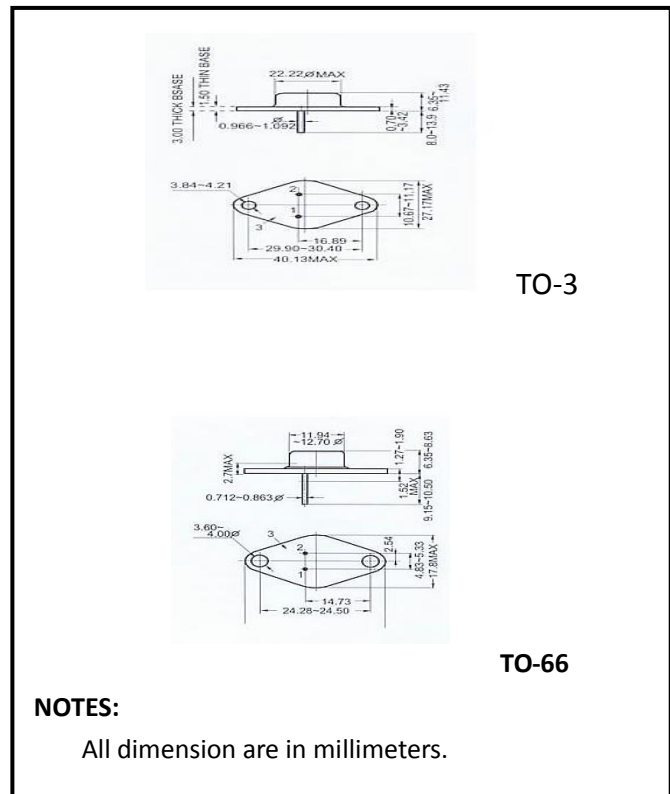
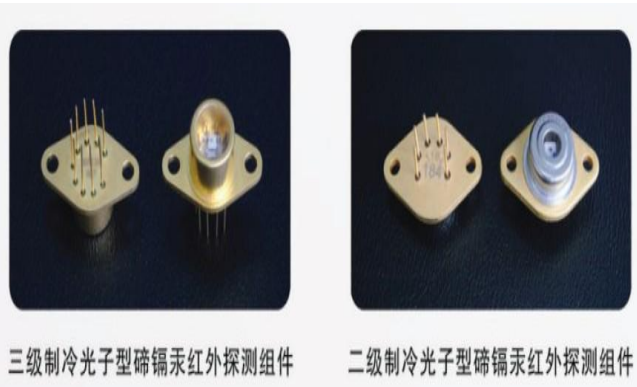


MCT Detector

2 stage or 3 stage TE Cooler



Description

Items	MCT0808-TE2	MCT2525-TE3
Wavelength range	3~5um	3~5um
Active area	0.8 X 0.8 mm	0.25 X 0.25 mm
Package	TO-3	TO-66
Detectivity	$> 9E8 \text{ cmHz}^{1/2}\text{W}^{-1}$	$> 1E10 \text{ cmHz}^{1/2}\text{W}^{-1}$
Responsivity	$> 2.6E2 \text{ V/W}$	$> 1E3 \text{ V/W}$
TE Cooler stage	2	3
Cooler tem. (20°C)	-40°C	-60°C
I _o	0.5~5mA	0.5~5mA

Information in this technical datasheet is believed to be correct and reliable. However, no responsibility is assumed for possible inaccuracies or omission.

Specifications are subject change without notice

OTRON ELE CTRONIC TECHNOLOGY CO.LTD

TEL:+86-21-54971821

FAX:+86-21-54971823

EMAL:sales@otron-sensor.com

[Http://www.otron-sensor.com](http://www.otron-sensor.com)