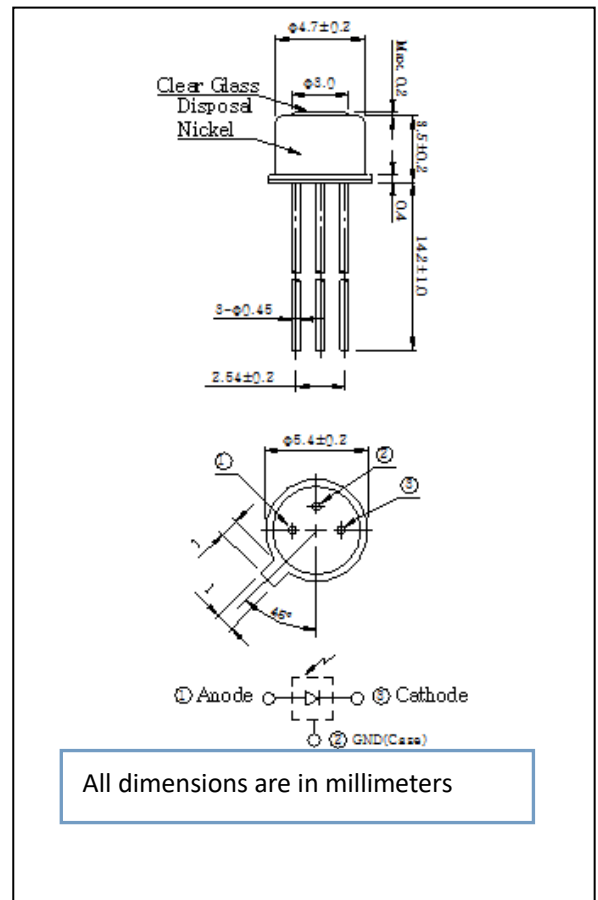
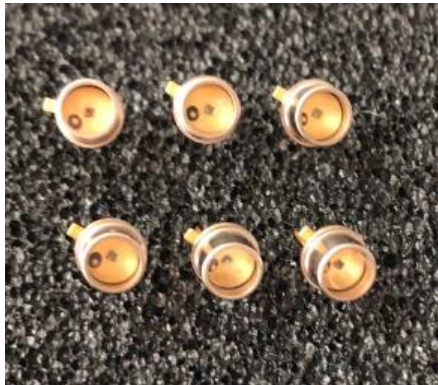


MSM type of Ultraviolet Detector



Description

MSM1.2TF-3 is MSM type of UV photodiode, it is Optimized for Ultra-violet , UVC wavelength.

Features

- * High responsivity photo sensitivity, low dark current
- * Good solar blindness

Applications

- * Sunlight exposure meter
- * Water purification facilities
- * UV power meter

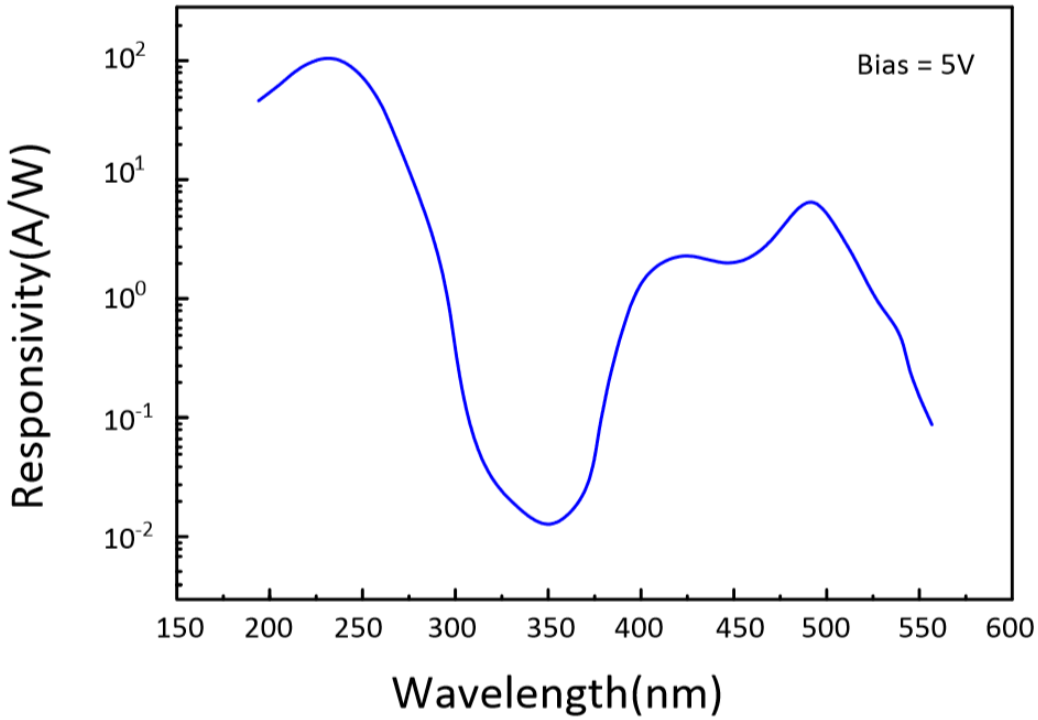
Specifications:

Parameter	Symbol	Min.	Typ.	Max.	Unit
Operation temperature range	T _{opt}	-40		+85	°C
Storage temperature range	T _{sto}	-40		+100	°C
Soldering temperature (3s)	T _{sol}		260		°C
Reverse breakdown voltage	V _r	600			V
Chip size	A		1.28*1.2		mm ²
Dark current (V _r =-5V)	I _d			1	nA
Temperature coefficient	T _c		-0.1		%/°C
Capacitance (V _r =5V, f=1MHz)	C _j			50	pF
Wavelength of peak responsivity	λ_p		280		nm
Peak responsivity (@230nm ,V _r =5V)	R _{max}	20			A/W
Spectral response range (R=0.1*R _{max})	S _R	200		275	nm
UV-Visible rejection ratio(R _{max} /R _{400nm})	-	10 ⁴			-

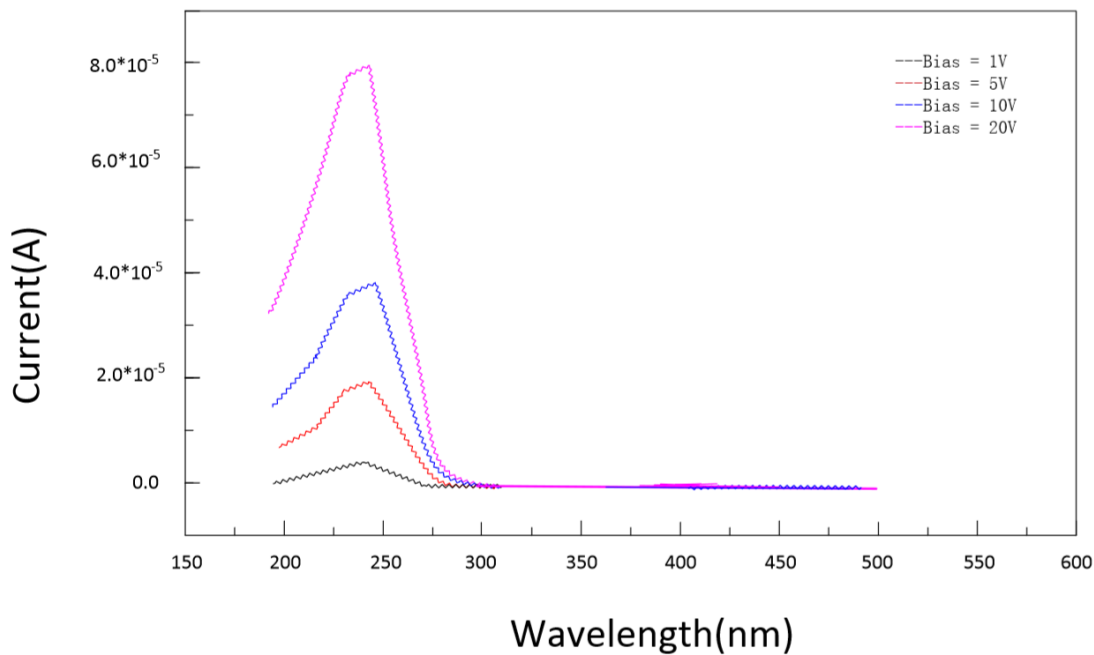


Spectral response

Spectral Responsivity

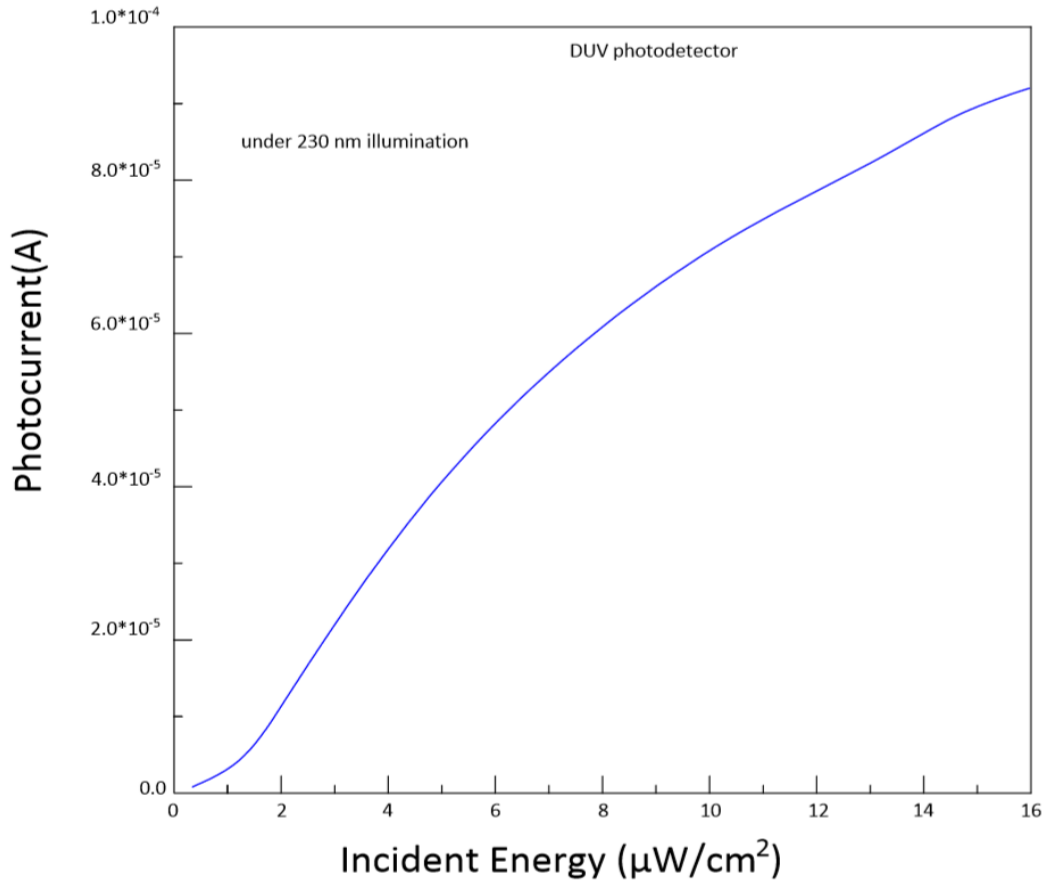


Variation of photocurrent with reverse bias voltage





Variation of photocurrent with UV radiation intensity



Information in this technical datasheet is believed to be correct and reliable. However, no responsibility is assumed for possible inaccuracies or omission. Specifications are subject change without notice

OTRON ELECTRONIC TECHNOLOGY CO., LTD

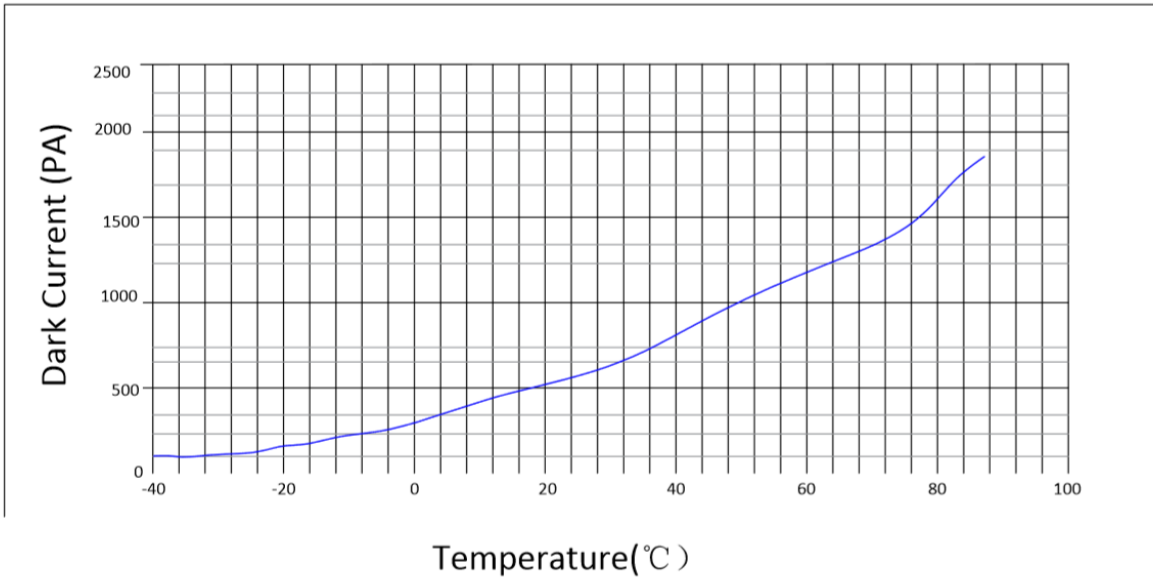
TEL:+86-21-54971821

FAX:+86-21-54971823

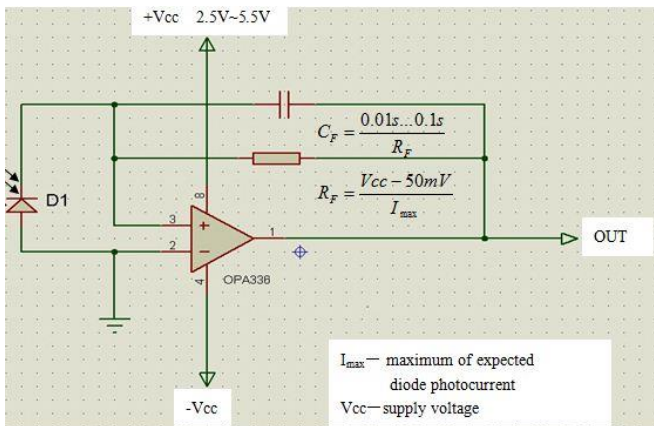
EMAIL: frank.shuai@e-otron.com

<http://www.e-otron.com>

Variation of dark current with temperature



Typical application circuit



Information in this technical datasheet is believed to be correct and reliable. However, no responsibility is assumed for possible inaccuracies or omission. Specifications are subject change without notice