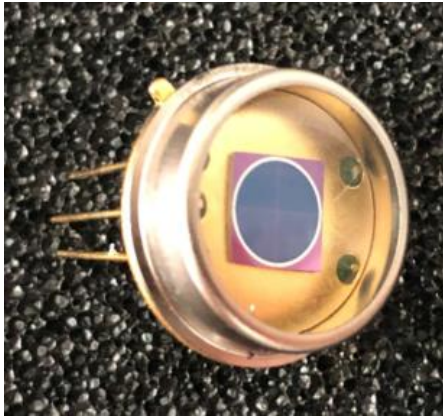


SILICON QUADRANT PHOTODIODE



Description

Φ5.05mm active area, low dark current quadrant photodiode
With P on N construction and 34μm gaps.

Features

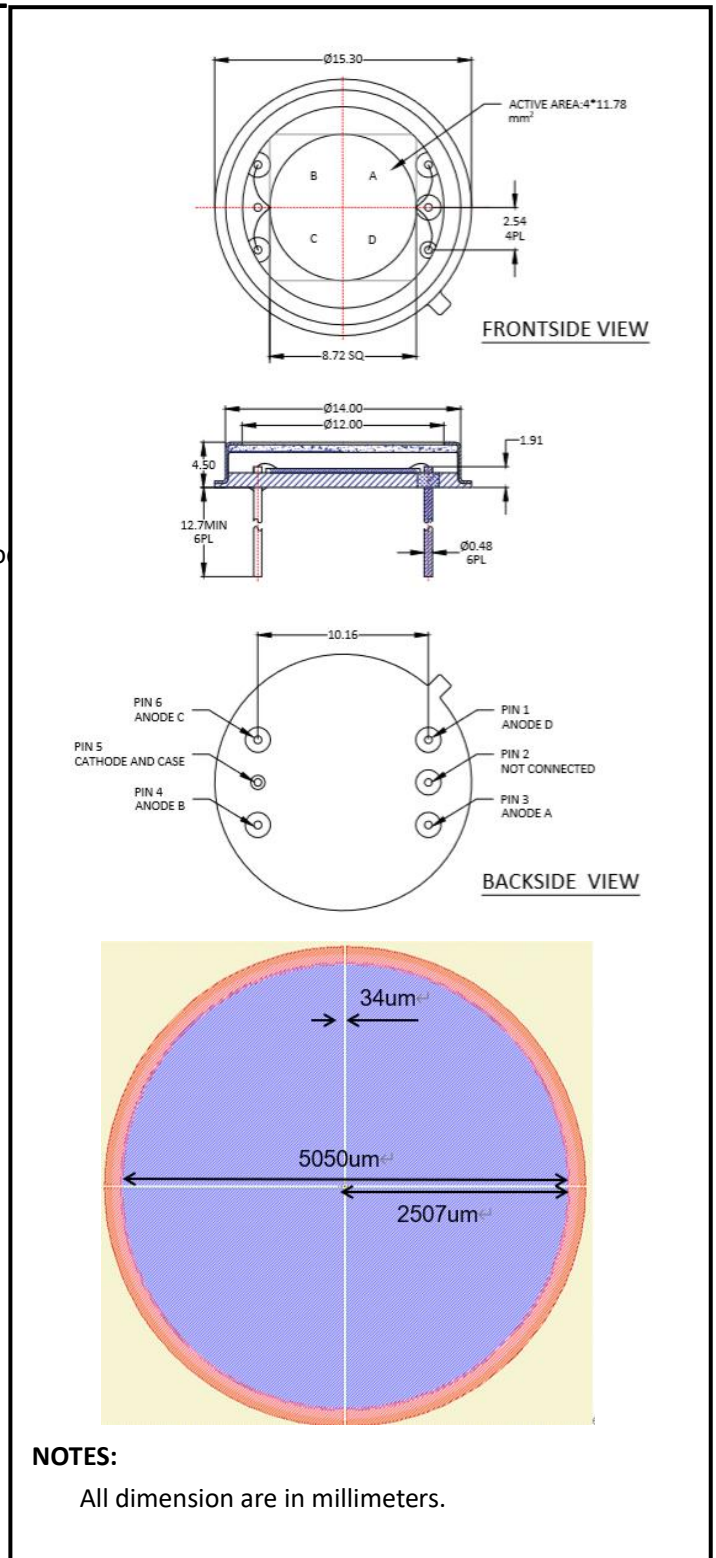
- * Small gap (34μm)
- * Low dark current
- * High resolution
- * Operating temperature is from -40 to +80°C
- * Storage temperature is from -40 to +100°C
- * Soldering temperature is 260°C @Max.5 seconds at the position of 2mm from the PIN legs.

General Ratings

- * Type Silicon Photodiode
- * Chip active area: Φ 5.05mm dia.
- * High linearity * Low dark current

Applications

- * Laser beam position sensor * Autocollimators
- * Optical tweezers * Ellipsometers



Information in this technical datasheet is believed to be correct and reliable. However, no responsibility is assumed for possible inaccuracies or omission.
Specifications are subject change without notice

OTRON ELECTRONIC TECHNOLOGY CO., LTD.

TEL:+86-21-54971821

FAX:+86-21-54971823

EMAIL: otron.sensor@gmail.com

[Http://www.e-otron.com](http://www.e-otron.com)



Absolute Maximum Ratings (Ta=25°C)

Parameter	Symbol	Condition	Min.	Typ.	Max.	Unit
Number of elements				4		
Active area (diamater)				Φ5.05		mm
Gap		Between elements		34		um
Spectral range			400		1100	μA
Photo sensitivity	S _R	940nm		0.60		A/W
		635nm		0.40		
Dark current	I _D	V _R =10mV		0.04		nA
		V _R =10V		0.18		
Rise time	t _R	V _R =10V; λ =850m;R _L =50Ω		30		ns
Tempcoeffi-cient of I _D	T _{CI_D}			0.18		times/°C
Operating voltage	V _{OP}		0		50	V
Reverse breakdown voltage	V _{(BR)R}	I _R =2μA Ev=0lx	20	50		V
Junction Capacitance	C _J	V _R =0V f=1MHz		213		pF
		V _R =10V f=1MHz		11		
		V _R =50V, R _L =50Ω		4		
CrossTalk Channel-to-Channel		400-850nm, Adjacent Channel		0.1	0.5	%
		850-1100nm, Adjacent Channels		1	5	
Uniformity of each Element	%		0.8		2	%
Shunt resistance	R _{sh}	V _R =5mV		0.05		GΩ
Rsh Temperature Coefficient	TC Rsh			0.18		%/°C
Angular Resp 50% Resp Pt	ε _{1/2}			±60		Degrees
Noise Equivalent Power	NEP	V _R =5V λ =940nm		2.8×10 ⁻¹⁴		W/Hz ^{1/2}
Specific Detectivity	D*	V _R =5V λ =940nm		3.5×10 ¹³		cm(Hz/W) ^{1/2}

Information in this technical datasheet is believed to be correct and reliable. However, no responsibility is assumed for possible inaccuracies or omission. Specifications are subject change without notice

OTRON ELECTRONIC TECHNOLOGY CO., LTD.

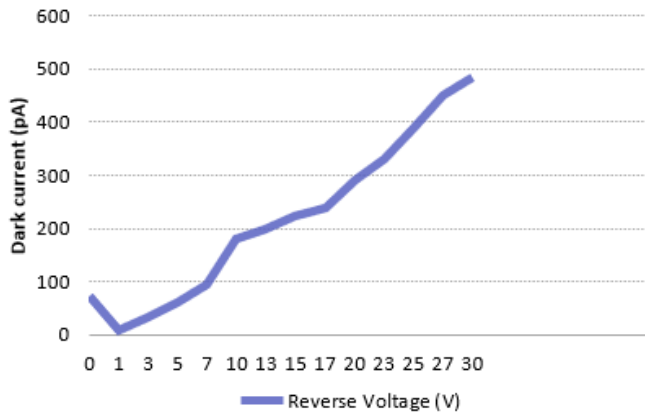
TEL:+86-21-54971821

FAX:+86-21-54971823

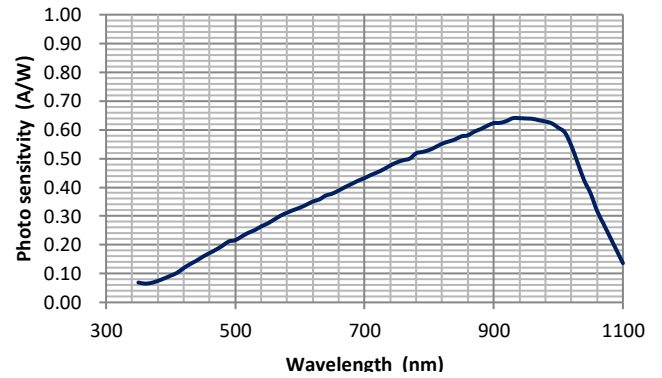
EMAIL: otron.sensor@gmail.com

[Http://www.e-otron.com](http://www.e-otron.com)

■ Dark current vs. reverse voltage

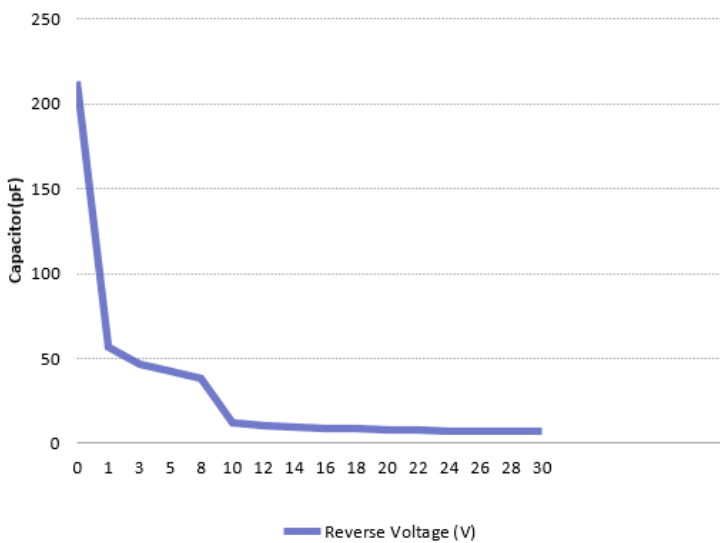


■ Spectral response



■ Relative Junction Capacitance

VS. Voltage



Information in this technical datasheet is believed to be correct and reliable. However, no responsibility is assumed for possible inaccuracies or omission. Specifications are subject change without notice

OTRON ELECTRONIC TECHNOLOGY CO., LTD.

TEL:+86-21-54971821

FAX:+86-21-54971823